

## VALVES

### Maxway Valves Code 7

Conflow is renowned the world over as the leading supplier of specialist components and systems for dust suppression, fire suppression and all aspects of water control in underground coal Mining.

Today Conflow products can be found operating both on the surface and underground in all the major mining industries, from coal to gold, in more than 30 countries around the world. Furthermore, wherever minerals are moved in bulk – such as quarries, power stations and steel works - Conflow products are helping to reduce the negative impact on the local environment.

At Conflow our aim is to provide you with a comprehensive range of services to meet your individual needs.



### Description

The **Conflow Code 7** - Maxway Valve is an in-line valve that regulates and isolates fluid in pipelines and systems.

The valve is a screw down type so adjusting the handwheel from closed to fully open can regulate the flow of fluid. The fully open position gives full flow capability thus creating little resistance in the pipeline.

As well as the range of sizes, other type variations are available. One of these options is with a key fitting. This key replaces the handwheel and enables valve settings to be maintained and eliminates unauthorised interference. When the key is removed accidental impact will not alter the setting.

### Typical Applications

- To regulate the amount of water feeding a dust suppression spraying system at conveyor transfer points in a mine or quarry
- To regulate the distribution of all the water services on coal cutting machines

### Features

- 1/2", 3/4", 1" 1/4" and 1 1/2" sizes available
- Maximum working pressure 140 bar (for sizes up to 1")
- Heavy duty construction, ideal for underground use
- In-line regulation and control of fluids
- Hand wheel or key operation

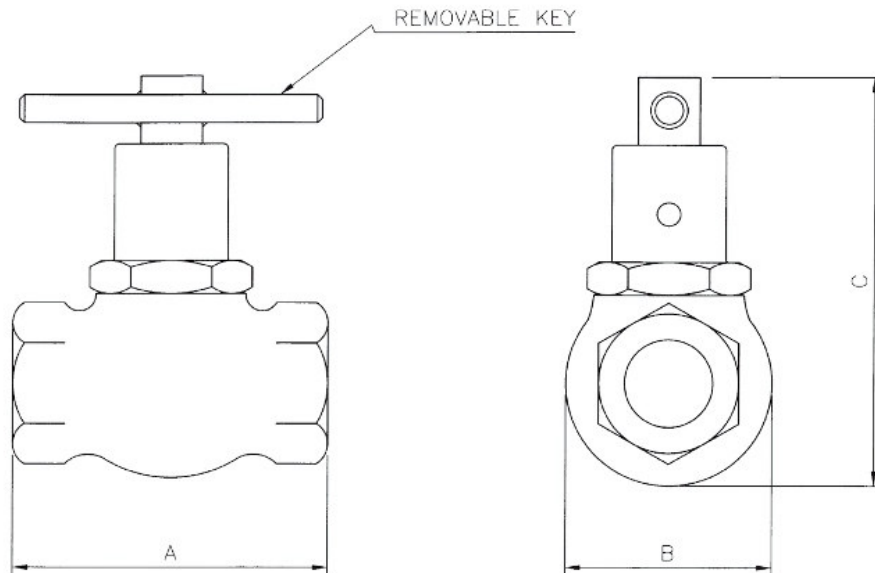
## VALVES

### Maxway Valves Code 7

#### Specifications

Maxway Valve CODE 7						
Dimension	Unit	1/2"	3/4"	1"	1 1/4"	
<b>A</b>	mm	76	89	108	127	
<b>B</b>	mm	38	48	63	80	
<b>C</b>	mm	70	109	118	129	
<b>Weight</b>	Kg	0.68	1.25	2.44	4.33	
<b>Maximum Working Pressure (bar)</b>		140	140	140	70	

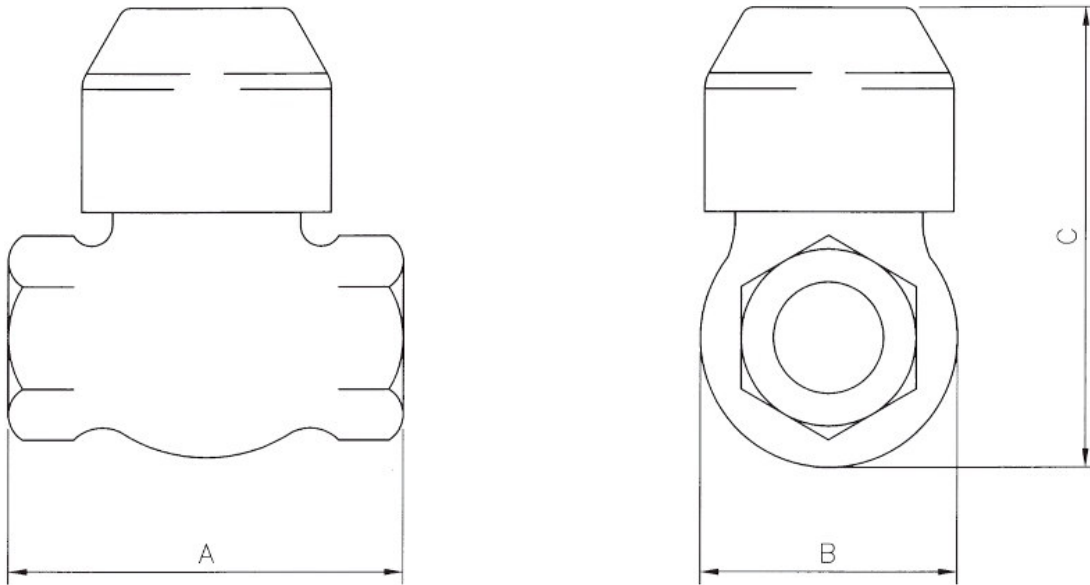
Maxway Valve CODE 7 (Key Operated)						
Dimension	Unit	1/2"	3/4"	1"	1 1/4"	
<b>A</b>	mm	76	89	108	127	
<b>B</b>	mm	38	48	63	80	
<b>C</b>	mm	106	125	137	158	
<b>Weight</b>	Kg	0.68	1.25	2.44	4.33	
<b>Maximum Working Pressure (bar)</b>		140	140	140	70	



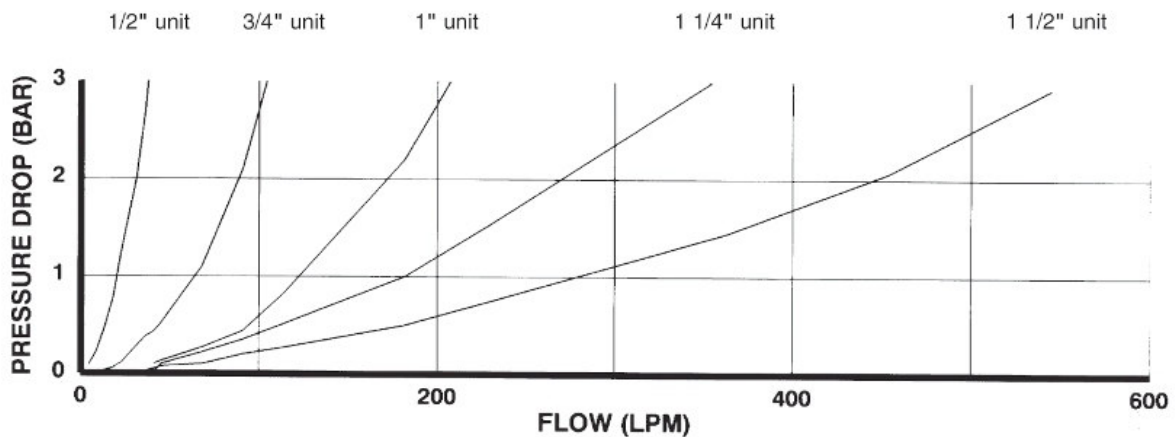
Key operation version

## VALVES

### Maxway Valves Code 7



Handwheel version



*The information on this data sheet is accurate to the best of Conflow's knowledge, however we reserve the right to alter the product specification at any time. For any specific updated detail, please contact us.*