



VALVES

Ball Stop Valves Code 39

Conflow is renowned the world over as the leading supplier of specialist components and systems for dust suppression, fire suppression and all aspects of water control in underground coal Mining.

Today Conflow products can be found operating both on the surface and underground in all the major mining industries, from coal to gold, in more than 30 countries around the world. Furthermore, wherever minerals are moved in bulk – such as quarries, power stations and steel works - Conflow products are helping to reduce the negative impact on the local environment.

At Conflow our aim is to provide you with a comprehensive range of services to meet your individual needs.

Description

With the **Conflow Code 39** - Ball Stop Valve fluid flow in a pipeline is completely stopped by turning the handle through 90°.

The main benefit in using this type of valve is its full bore capacity, i.e. when the valve is open the inside diameter of the valve is the same size as that of the adjoining pipe work, so that the pressure drop across the valve is negligible.

High quality components - CNC machined brass forged main body, stainless steel ball and Delrin ball seats ensure easy and reliable operation, tight shut off, and high pressure rating.

Typical Applications

- On main inlet to water systems on mineral cutting machines where water flow needs to be controlled quickly and frequently, whenever the machine is in operation
- On coal face emulsion supply lines to isolate system

Features

- Sizes from 1/4" to 1 1/4" available
- Working pressures up to 344 bar (4" - 55 bar)
- Low pressure drop
- 90° ON - OFF movement
- Tight shut off

Conflow
President Park President Way Sheffield South Yorkshire S4 7UR
Tel: +44 (0) 114 224 0000 Fax: +44 (0) 114 278 4974
E-Mail: info@conflow.com Web: www.conflow.com

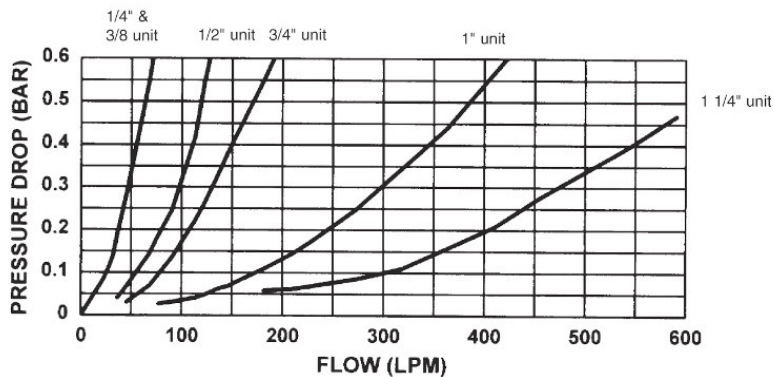
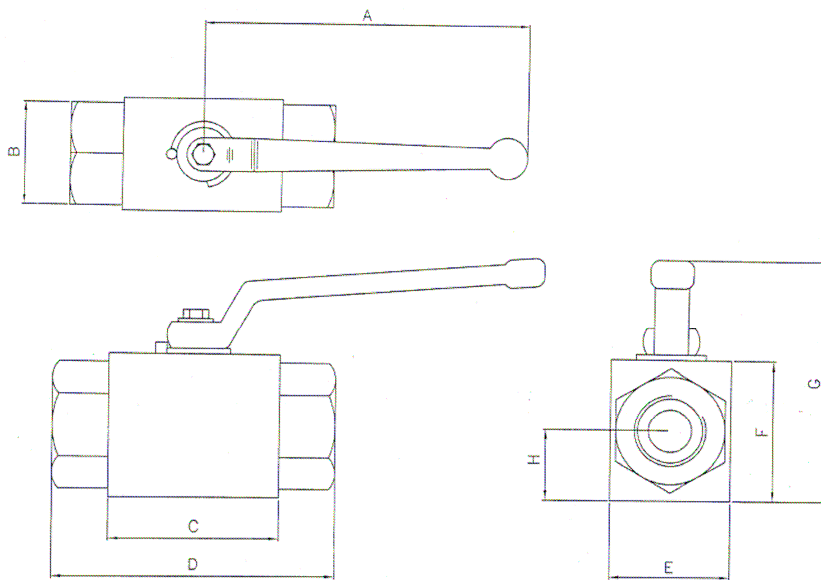
Conflow Inc
270 Meadowlands Blvd Washington PA 15301 U.S.A
Tel: (724) 746 0200 Fax: (724) 746 0940
E-Mail: sales@conflowusa.com Web: www.conflowusa.com

VALVES

Ball Stop Valves Code 39

Specifications

Unit Size	A	B	C	D	E	F	G	H
1/4"	110	27 A/F	42	65	30	40	90	15
3/8"	114	27 A/F	42	85	30	40	90	15
1/2"	180	32 A/F	59	101	35	45	90	18
3/4"	185	41 A/F	64	113	45	55	95	25
1"	220	50 A/F	78	132	55	65	110	30
1 1/4"	225	50 A/F	78	136	55	65	110	30



The information on this data sheet is accurate to the best of Conflow's knowledge, however we reserve the right to alter the product specification at any time. For any specific updated detail, please contact us.