

## VALVES

### Heavy Duty Stop Valves Code 18 & 19



Code 18



Code 19

Conflow is renowned the world over as the leading supplier of specialist components and systems for dust suppression, fire suppression and all aspects of water control in underground coal Mining.

Today Conflow products can be found operating both on the surface and underground in all the major mining industries, from coal to gold, in more than 30 countries around the world. Furthermore, wherever minerals are moved in bulk – such as quarries, power stations and steel works - Conflow products are helping to reduce the negative impact on the local environment.

At Conflow our aim is to provide you with a comprehensive range of services to meet your individual needs.

#### Description

The **Conflow Code 18 & 19** - Heavy Duty Stop Valves are inline valves to shut off flow in pipelines.

The valve is a screwdown type so that large flows in large diameter pipes can be isolated by the gradual shut off of the valve. This eliminates hydraulic shock waves or water hammer being created which would damage the steel pipes and fittings.

The fully open position gives a true full flow capability thus creating minimal resistance in the pipeline. The 4" unit incorporates a balanced pressure feature, which enables the valve to be opened and closed at high pressure with the minimum of effort.

#### Typical Applications

- On water mains in underground mines to isolate areas for maintenance and extension purposes

## VALVES

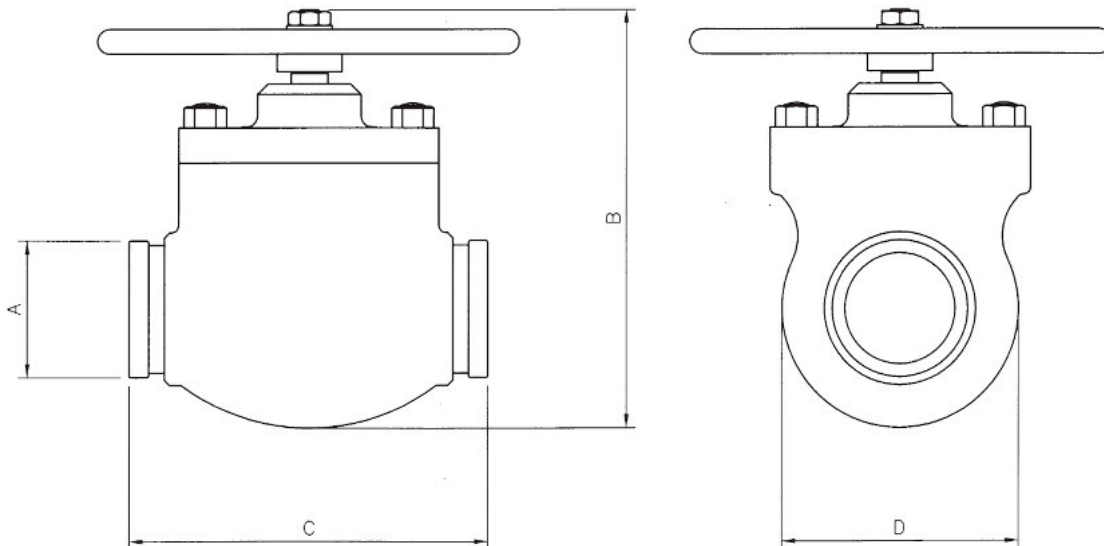
### Heavy Duty Stop Valves Code 18 & 19

#### Features

- 2", 2 1/2", 3" and 4" sizes available
- Maximum working pressure 105 bar (Code 18), 125 bar (Code 19)
- Victaulic, flanged or screwed ends
- Designed for underground water mains
- Robust, compact and full bore

#### Specifications

HEAVY DUTY VALVES CODE 19		
Dimension	Unit	
A	mm	4"
B	mm	385
C	mm	323
D	mm	211



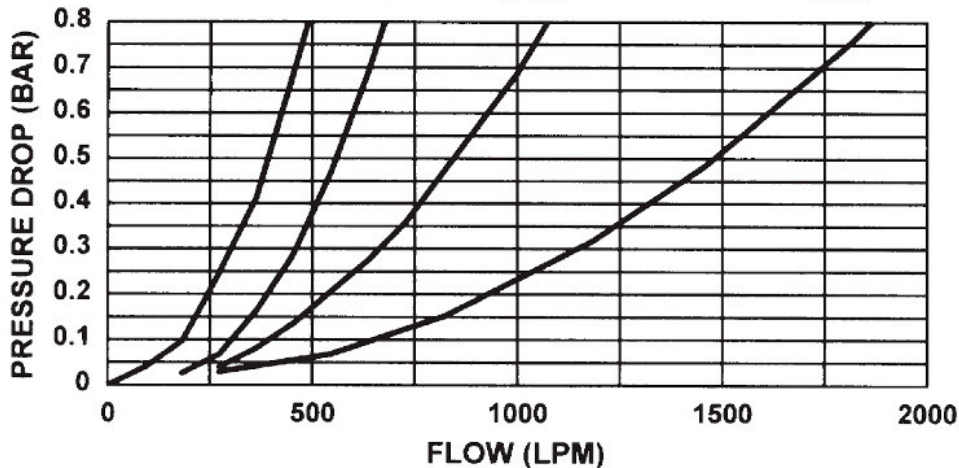
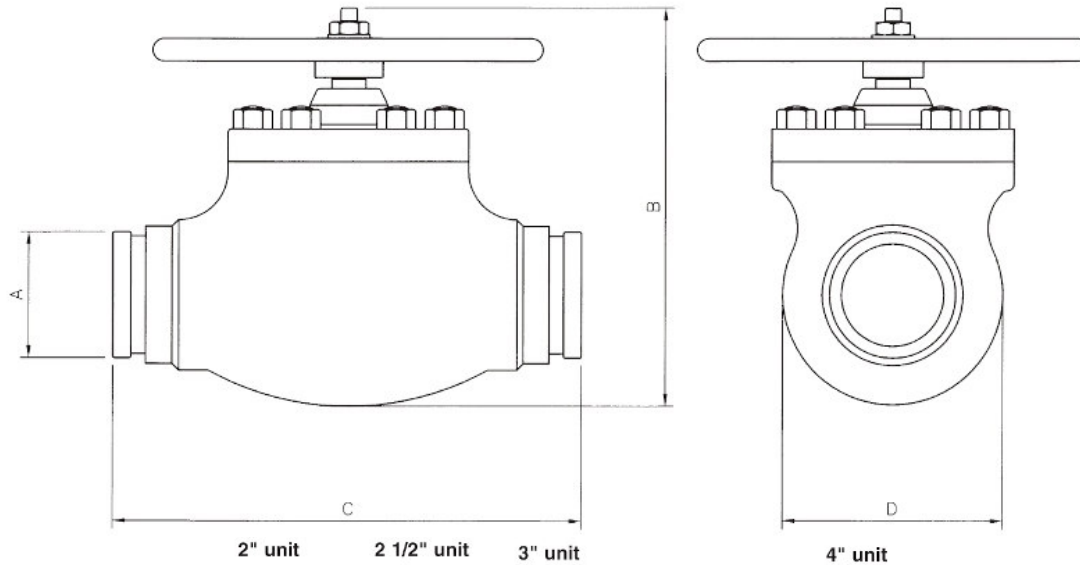
## VALVES

### Heavy Duty Stop Valves

Code 18 & 19

HEAVY DUTY VALVES CODE 18				
Dimension	2"	2 1/2"	3"	4"
A	Victaulic	Victaulic	Victaulic	Victaulic
B	268	302	384	395
C	328	334	384	455
D	137	182	215	225

\* 4" units have balanced pressure features



The information on this data sheet is accurate to the best of Conflow's knowledge, however we reserve the right to alter the product specification at any time. For any specific updated detail, please contact us.