

DUST SUPPRESSION

I.S Solenoid Valve Code 5042

Conflow is renowned the world over as the leading supplier of specialist components and systems for dust suppression, fire suppression and all aspects of water control in underground coal Mining.

Today Conflow products can be found operating both on the surface and underground in all the major mining industries, from coal to gold, in more than 30 countries around the world. Furthermore, wherever minerals are moved in bulk – such as quarries, power stations and steel works - Conflow products are helping to reduce the negative impact on the local environment.

At Conflow our aim is to provide you with a comprehensive range of services to meet your individual needs.



Description

The **Conflow Code 5042** - I.S. Solenoid Valve is a fluid line stop valve, which is operated by a 12VDC supply. The device has been specially designed to operate with an Intrinsically Safe (I.S.) low energy supply suitable for underground use.

The device is made up of two halves conveniently bolted together. The valve half (wet end) is a pilot operated stopvalve which requires only a small force to open fully, for water pressures up to 100 bar.

The solenoid half is an electrical coil (driver) which, when energised, causes a mild steel core to move axially within the coil. This movement exerts a force in excess of that required to operate the pilot valve in the wet end.

Typical Applications

- Controlling belt sprays
- Dust Suppression on the cutting heads of continuous miners
- Control of water cooling to trunk conveyer belt drives

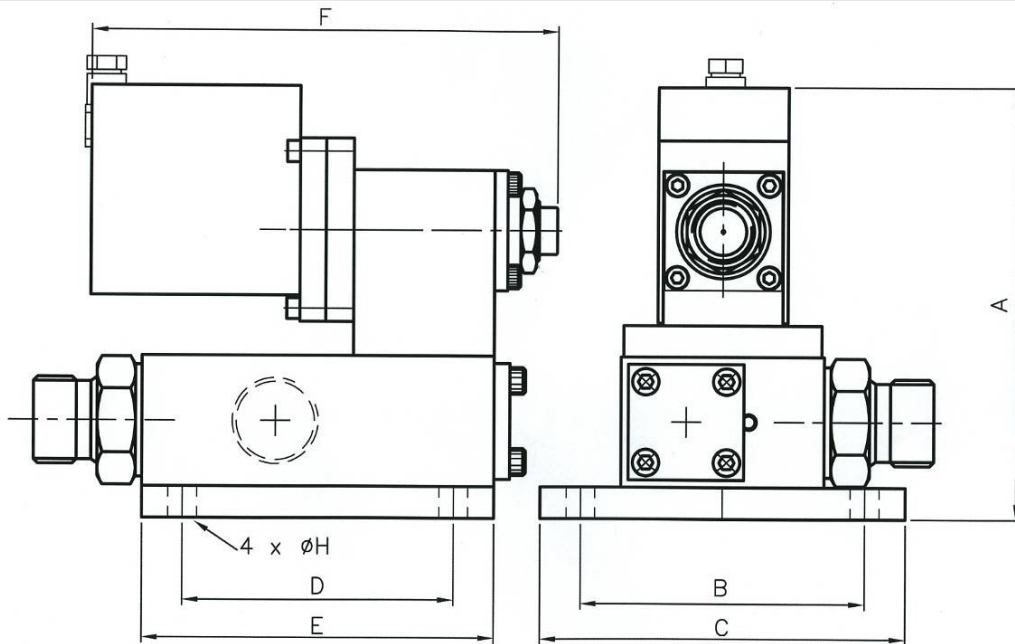
DUST SUPPRESSION

I.S Solenoid Valve Code 5042

Features

- 1/2", 3/4", 1" & 2" versions available
- Operates with pressures up to 100 bar
- Controls flows up to 180 GPM
- Rapid shut off time
- 12VDC supply voltage

Specifications



Dimension	Unit	1/2" 3/4" 1"	2"
A	mm	165	206
B	mm	109 CRS	N/A
C	mm	140	111
D	mm	104 CRS	N/A
E	mm	135	N/A
F	mm	179	218
H	mm	Ø11	N/A
Weight	Kg	11Kg	21Kg

The information on this data sheet is accurate to the best of Conflow's knowledge, however we reserve the right to alter the product specification at any time. For any specific updated detail, please contact us.